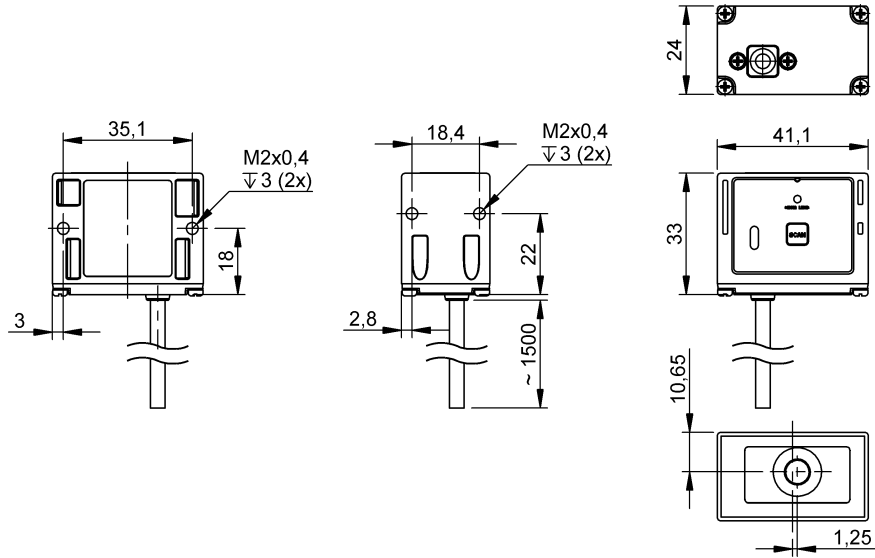


Optical Identification
BVS ID-M0752RX0-15-000
 Order Code: BVS01A0

BALLUFF



Basic features

Application	Code Identification
Approval/Conformity	CE UKCA WEEE

Functional Characteristics

2D codes	Aztec Code China Sensible Code Codablock F Data Matrix ECC 200 MaxiCode (Modes 2 to 5) MicroPDF417 Micro QR Code Passport MRZ (OCR-B) PDF 417 QR code
----------	--

Display/Operation

Adjuster	button
----------	--------

Electrical connection

Cable length L	1.5 m
Connection	USB 1.0 TYPE A-Male, 4-pin
Connection type	Cable, 1.5 m
Polarity reversal protected	yes
Short-circuit protection	yes

Electrical data

Current consumption max. at 5 V DC	265 mA
No-load current I _o max. at U _e	70 mA
Operating voltage U _b	4.7...5.3 VDC

Environmental conditions

Ambient temperature	-20...50 °C
IP rating	IP65
Storage temperature	-20...60 °C

Optical Identification
BVS ID-M0752RX0-15-000
Order Code: BVS01A0



Barcodes

UPC-A
 UPC-A Add-on
 UPC-E
 UPC-E Add-on
 EAN-13
 EAN-13 Add-on
 EAN-8
 EAN-8 Add on
 JAN-8
 JAN-13
 Codabar/NW-7
 Code 11,
 Code 39
 Code 93
 Code 128
 GS1 DataBar
 GS1 DataBar Limited
 GS1 DataBar Expanded
 Composite GS1 DataBar
 Composite GS1-128
 Composite EAN
 Composite UPC
 IATA
 Industrial 2of5,
 Interleaved 2of5
 Matrix 2of5
 MSI/Plessey
 S-Code
 Telepen
 Tri-Optic
 UK/Plessey
 Chinese Post
 Korean Postal Authority code

Material

Housing material ABS, black, -
Material sensing surface PC

Mechanical data

Dimension 41.1 x 24 x 33 mm
Mounting part Screw M2
Weight 30 g

Optical features

Image resolution 0.4 MP (752 x 480 pixels)
Light type aiming device LED green bar
Light type illumination LED red
Sensor type Vision CMOS image sensor black-white

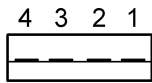
Range/Distance

Operating Distance 50...300 mm
Read angle Hor 40,6°
 Ver 26,4°
Read distance Code 39 (5mil) 90 - 125mm
 Code 128 (7,9mil) 80 - 160mm
 PDF 417 (6,7mil) 85 - 130mm
 QR Code (8,4mil) 95 - 115mm
 Data Matrix (10mil) 80 - 145mm
 QR (15mil) 40 - 210mm

Interface

Interface USB

Connector Drawings



PIN 1: VBUS
 PIN 2: D-
 PIN 3: D+
 PIN 4: GND